

## Mux Switch for USB Type-C with Protection Functions

### Features

- Power supply: VCC 2.7V to 5.5V
- USB2.0 High Speed(480Mbps) Switch
  - -3dB bandwidth: 1.1GHz
  - USB path Ron: 3Ω (Typ.)
- Audio switch
  - Negative rail capability: -3.5V to +3.5V
  - Audio path RON = 0.42Ω (Typ.) at 3.3V
  - THD+N = -117dB; 1VRMS, 32Ω Load; f = 20Hz~20kHz with A-weighted filter
- AGND switch with 50mΩ(typ.) Ron
- Moisture or Impedance detection support over DPR/DNL/CCx/SBUx
- OVLO threshold programmable to 3.4V,4.0V,4.5V or 5.0V for USB/Audio/GSBU/SBU Path
- 100us or 1ms version DPR/DNL connection recovery time after DPR/DNL OVP Off event
- DET/nRESET Default Floating after POR.
- I<sub>OFF</sub> Supports Power down Mode
- Typical device disabled current I<sub>ccz</sub>=1uA
- Typical Supply current I<sub>cc</sub>=60uA with full functions
- +/-21V DC protection on Type-C connector side pins: CC input pins, DPR, DNL, SBU1, SBU2, GSBU1 and GSBU2
- High ESD Protected USB Type-C Contacts
  - IEC 61000-4-2 System 15KV Air Gap and 8KV Contact

### Applications

- Mobile Phone, Tablet, Notebook, PC, Game Box, Smart TV, AR/VR Glasses etc.

### General Description

YHM1003 is a high performance USB Type-C multi-function switch which supports diverse digital or analog accessories. The YHM1003 allows the sharing of a common USB Type-C port to pass USB2.0 signal, positive-to-negative analog audio, sideband use signal and analog audio microphone signal.

YHM1003 support high voltage on CC, SBU1&2, GSBU1&2 and USB2.0 port.

The devices can monitor CC pin to turn off MIC and AGND switches and discharge port side SBU port to eliminate pop noise while an audio accessory is detached.

The devices include one configurable watch dog output pin which can Reset other device or continue turning off direct charge power path.

YHM1003 supports 3:1 switches including 1: one high speed USB path, 2: one general digital path for fast charge MCU GPIOs/UART comm or AP&5G modem UART comm (TXD&RXD or two TXD support two UART output log channels) or another USB2.0 comm, 3: Ground center audio signals path.

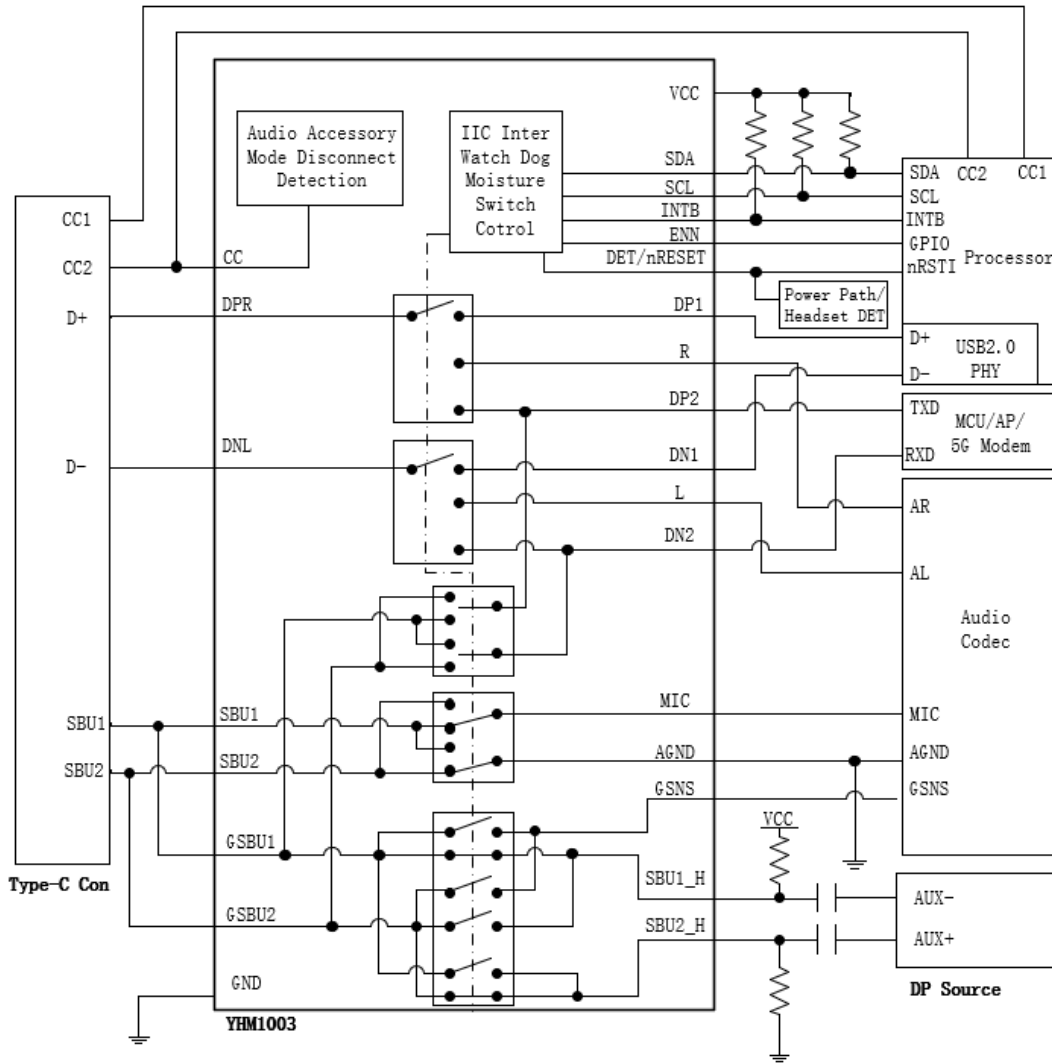
The general digital path also may cross switching to GSUB1/GSBU2 port in order to support USB/UART signal same time or other manufacturing or test modes.

But UART to GSBU1/2 cross switches may turn off if CC keep low logic after POR for better audio performance.

May set CC toggle debounce to prevent DET/nRESET wrong output.

The YHM1003 comes in a 5x5 array, 25-bump, 0.4mm pitch, 2.08mmx2.08mm wafer-level package (WLP).

**Mux Switch for USB Type-C with Protection Functions**



**Fig 1. YHM1003 Block Diagram/Typical Application**

## Mux Switch for USB Type-C with Protection Functions

### YHM1003 Pin Configurations

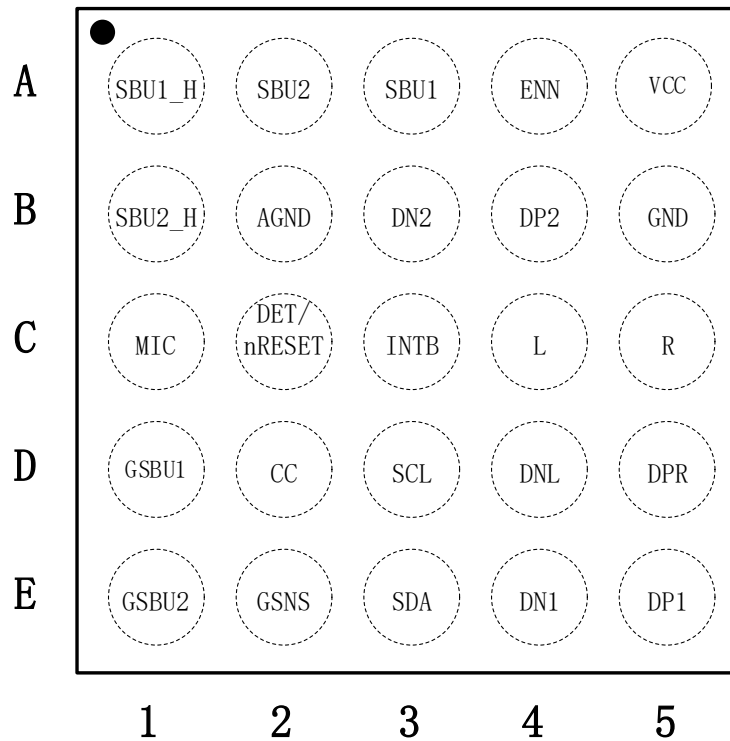


Fig 2. YHM1003 Pin Assignment (Top Through View)

## Mux Switch for USB Type-C with Protection Functions

### YHM1003 Pin Descriptions

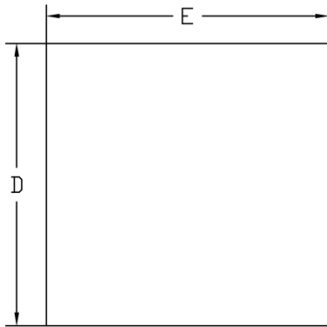
No.	Pin	Name	Description
1.	A5	VCC	Power Supply (2.7 to 5.5V)
2.	B5	GND	Chip ground
3.	D5	DPR	USB/USB or UART/Audio Common Connector
4.	D4	DNL	USB/USB or UART/Audio Common Connector
5.	E5	DP1	USB Data (Differential +)
6.	E4	DN1	USB Data (Differential -)
7.	C5	R	Audio Right Channel
8.	C4	L	Audio Left Channel
9.	B4	DP2	USB Data (Differential +) OR TXD Inner Configuration Channel
10.	B3	DN2	USB Data (Differential -) OR RXD OR TXD Inner Configuration Channel
11.	A3	SBU1	Sideband use wire 1
12.	A2	SBU2	Sideband use wire 2
13.	C1	MIC	Analog audio microphone
14.	B2	AGND	Audio ground
15.	E2	GSNS	Audio ground reference input from Conn to codec
16.	C3	INTB	I <sup>2</sup> C Interrupt output, active low (open drain)
17.	D2	CC	Audio accessory attachment detection input, while CC higher than 1.5V mean Headset disconnect.
18.	D1	GSBU1	Audio sense path 1 to headset jack GND
19.	E1	GSBU2	Audio sense path 2 to headset jack GND
20.	D3	SCL	I <sup>2</sup> C clock
21.	E3	SDA	I <sup>2</sup> C data
22.	B1	SBU2_H	Host Side Sideband Use Wire 2
23.	A1	SBU1_H	Host Side Sideband Use Wire 1
24.	A4	ENN	Chip enable/disable input, active low
25.	C2	DET/nRESET	Watch Dog time out, go to reset AP, keep 10000ms-1000ms active low or high, or continuous high or low to control power path. Second function as audio accessory detection.

# YHM1003

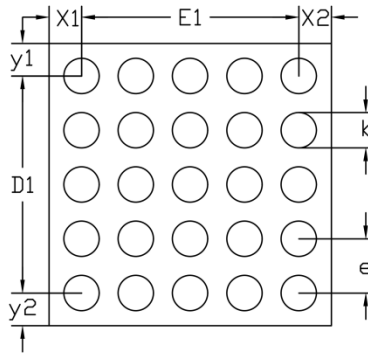
## Mux Switch for USB Type-C with Protection Functions

### Package Dimensions

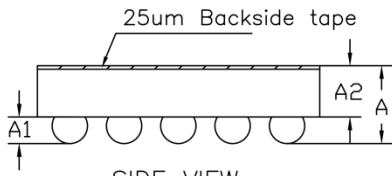
WLCSP-25 2.08x2.08x0.574



TOP VIEW  
(MARK SIDE)



BOTTOM VIEW  
(BALL SIDE)



SIDE VIEW

COMMON DIMENSIONS  
(UNITS OF MEASURE=MILLIMETER)

SYMBOL	MIN	NOM	MAX
A	0.529	0.574	0.619
A1	0.176	0.196	0.216
A2	0.353	0.378	0.403
D	2.060	2.080	2.100
D1	1.600BSC		
E	2.060	2.080	2.100
E1	1.600BSC		
b	0.240	0.260	0.280
e	0.400BSC		
x1	0.240 REF		
x2	0.240 REF		
y1	0.240 REF		
y2	0.240 REF		

### Ordering Information

Part Number	Temp Range	Pin Package	Top Mark	MOQ
YHM1003WHT	-40°C to 85°C	25 WLCSP	YHM1003	3000

T = Tape and reel.